

JUNE 1 - 3
SKAGEN
DENMARK

Michael
Thomsen

Key Account Manager, FM
Bulk Handling

**The Solution to Accurately Add Antioxidant
and Mix Fishmeal Before Storage**





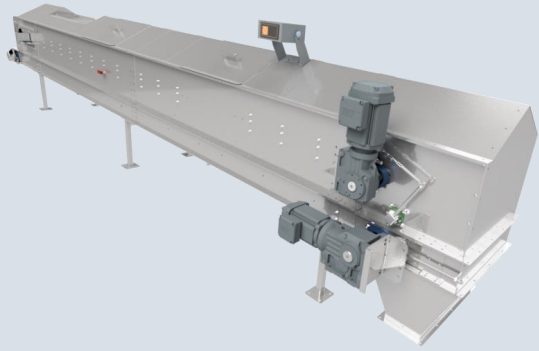
03/06 2022

FM Bulk Handling – Fjordvejs

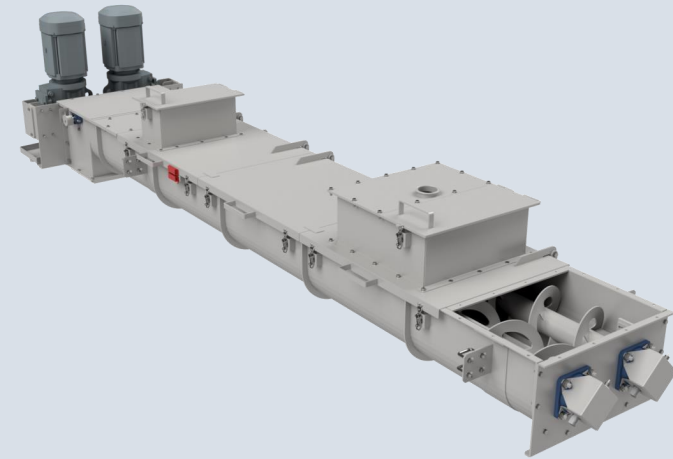
How to accurately add antioxidant to fishmeal before storage

System for adding antioxidant

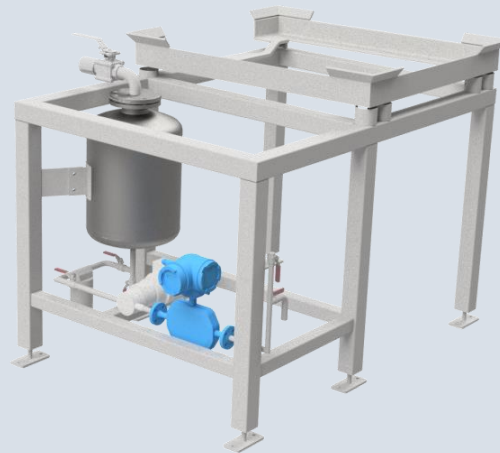
- Weighing unit
- Dosing unit
- Mixing unit



Scale – belt conveyor



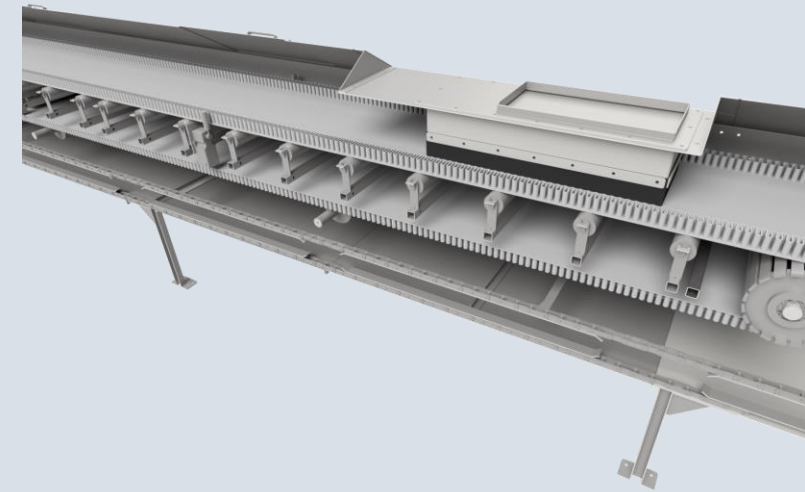
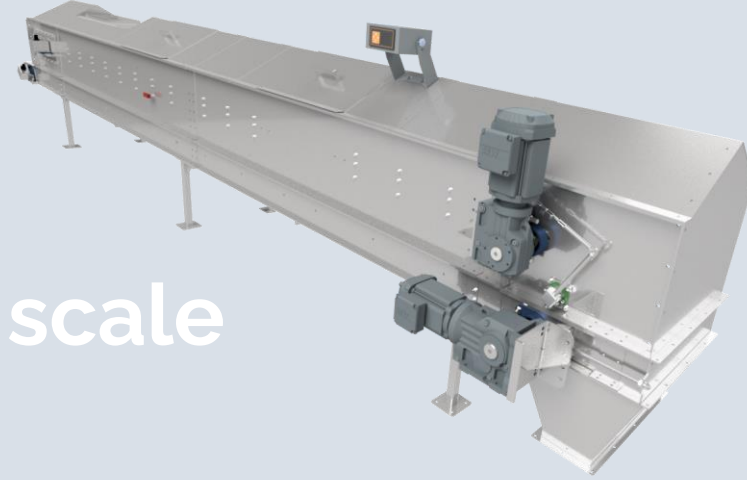
Ribbon mixer – screw conveyor



Dosing unit for IBC container

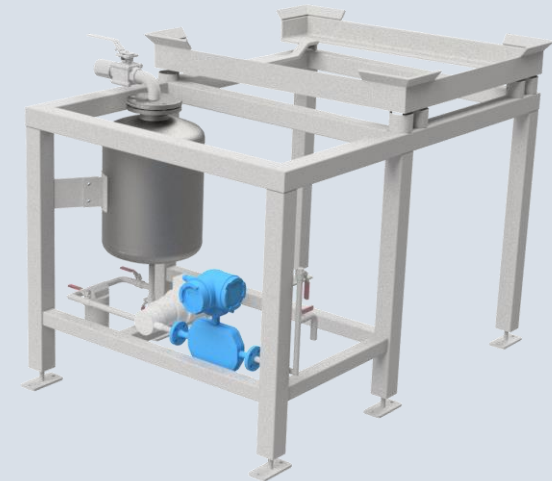
Weighing unit

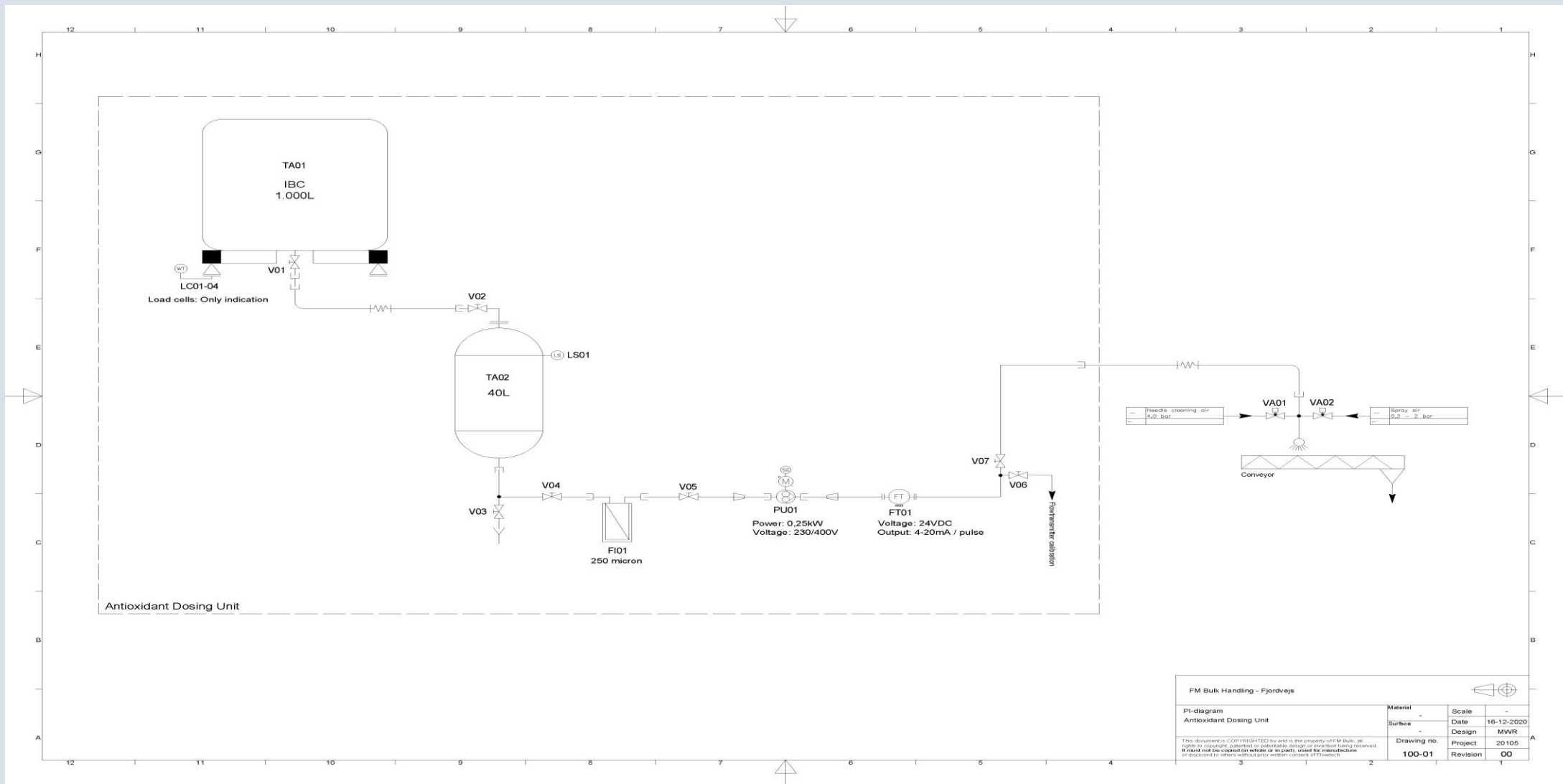
- Belt conveyor with built-in scale
 - Closed design
 - No dust
 - Clean
 - Output to customers controlsystem



Dosing unit for IBC containers

- Accurate dosing
- Input/output to/from customers controlsystem
- Calibration option
- Automatic nozzle cleaning
- Weight indication for IBC





FM Bulk Handling - Fjordvejs			
PI-diagram	Material	-	Scale
Antioxidant Dosing Unit	Surface	-	Date 16-12-2020
			Design MWR
	Drawing no.	20105	Project
	100-01	00	Revision

This document is COPYRIGHTED by and is the property of FM Bulk, all rights reserved. No part of this document may be reproduced or transmitted in any form or by any means, electronic or mechanical, including photocopying, recording, or by any information storage and retrieval system, without prior written consent of FM Bulk.

Mixing unit

- Ribbon mixer – screw conveyor
 - Efficient mixing
 - Closed design
 - No dust
 - Easy cleaning

